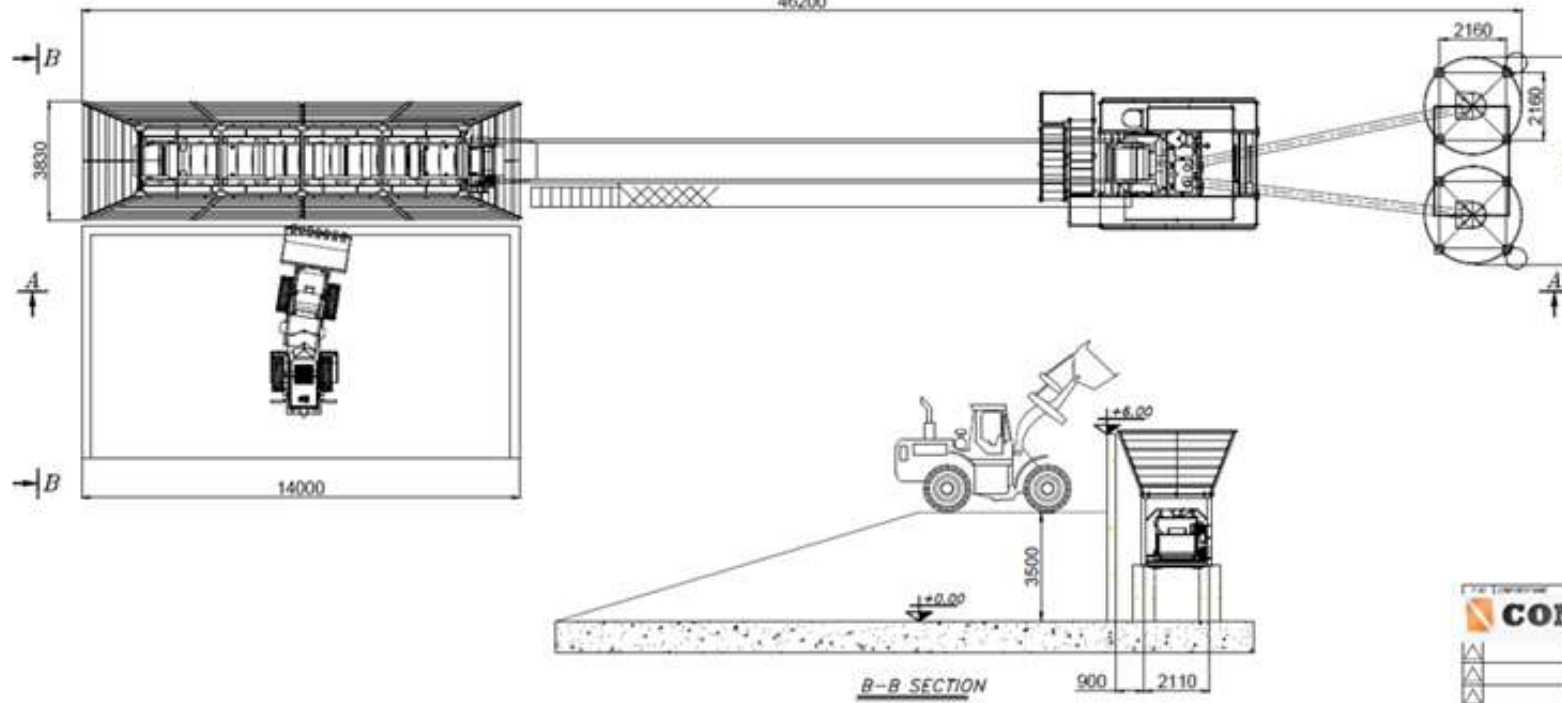


A-A SECTION



B-B SECTION

		1 OF 1 SHEET DESIGN: _____ DRAWN: _____ CHECKED: _____ DATE: _____
NO. _____ REV. _____ DATE _____	PROJECT: _____ CLIENT: _____ ADDRESS: _____	SCALE: _____ DRAWING NO.: _____ SHEET NO.: _____