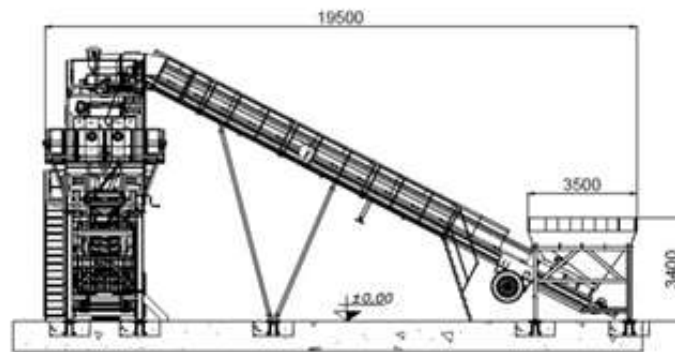
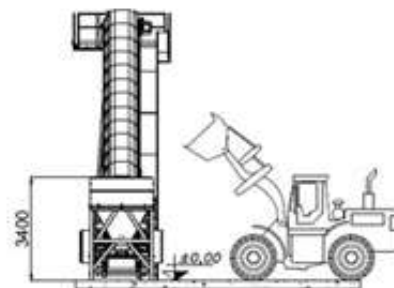


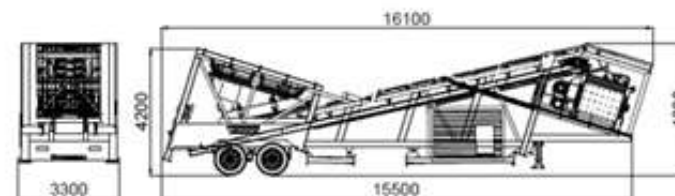
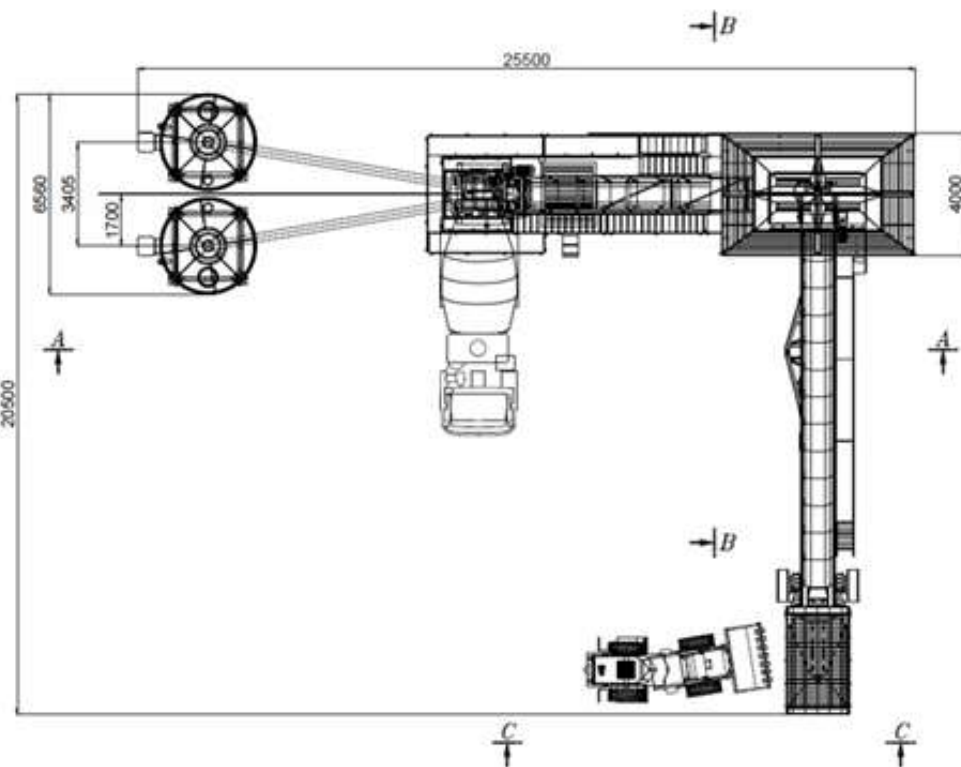
A-A SECTION



B-B SECTION



C-C SECTION



TRANSPORT POSITION

		MOBILE 60 LAYOUT	
1		1	