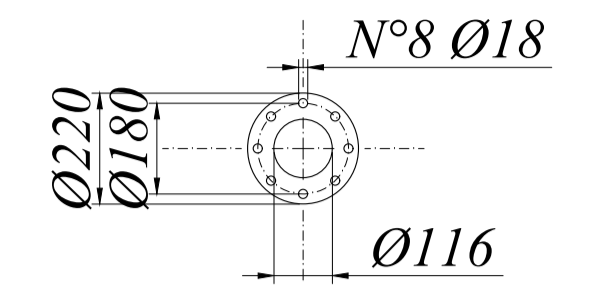
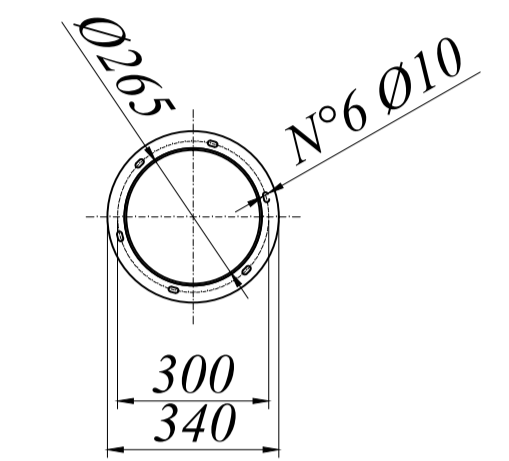


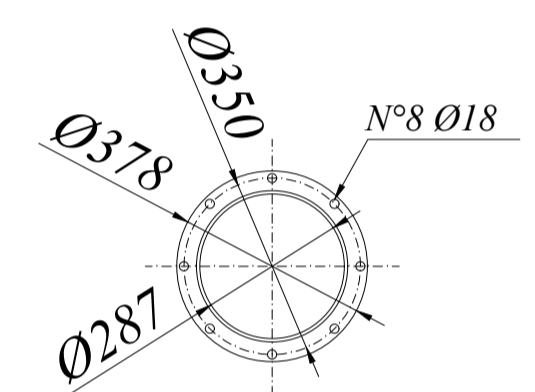
01-FILLING PIPE CONNECTION FLANGE



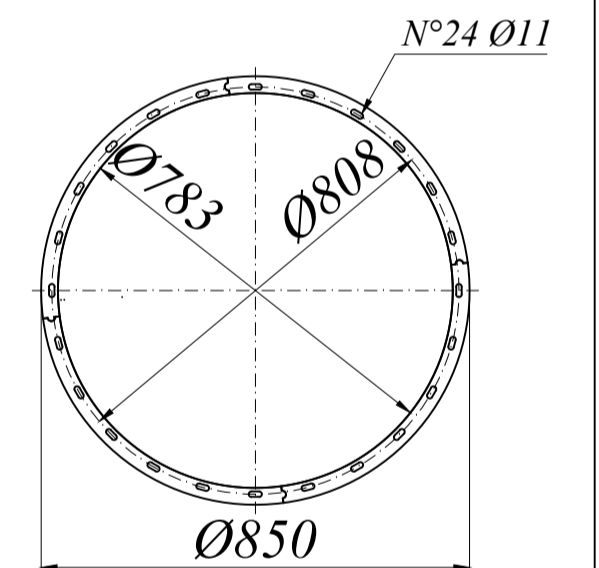
02- FLANGED PIPE FOR PRESSURE CONTROL



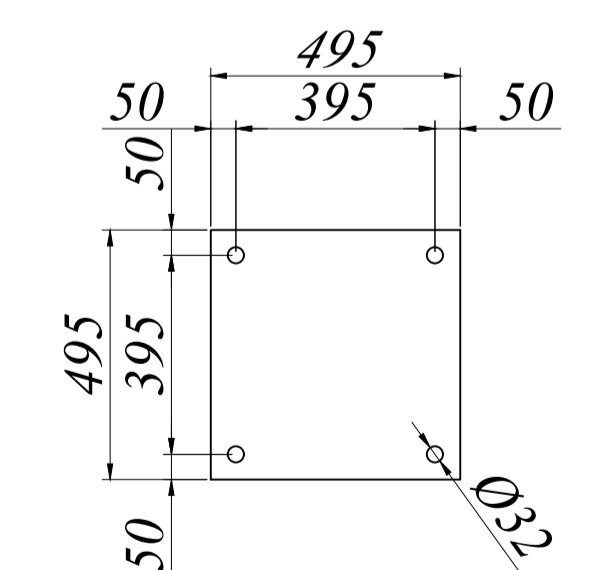
03-SILO'S OUTLET-VALVE CONNECTION FLANGE



04-SILOTOP FILTER ADAPTER FLANGE



05-FOOT PLATE



WARNING !...
 THIS PROJECT IS ONLY SHOWING THE INSTALLATION OF MACHINES.
 THE CONCRETE PROCESS WILL BE PROVIDED BY THE BUYER IN
 ACCORDANCE WITH THE DYNAMIC AND STATIC LOADS PROVIDED..

DESIGN CRITERIA : Eurocode 8, en.1998.4.2006

TASARIM	ÇİZEN	ONAYLAYAN	TARİH
Murat ULUNÇ	Murat ULUNÇ	Emre CİNAR	09.12.2025
			ÖLÇEK: 1/60
CONCRETE PLANTS & CRUSHERS			Rev. No:
390 M³ SILO			Rev. Tarihi: / ... /
			Resim No:

NOT: BU RESİMİN CONSTMACH İSSİNDEN HER NE ŞEKLİNE OLUNSA OLUN KOPYALANMASI
 ÖZGÜNCELİ SAĞLAMAK İÇİN YASAKTIR. YOKSALDI AĞIZ İÇEREN KURALLARA UYUNYAN ÖZEL VE İŞLETİM KESİMLERİNİN HAKKINDA
 FAYDALI TAVUZLARI İZLENİLMELİDİR.